



Distributed By
JustCatering.Com Ltd

10 Jessop Avenue, Norwood Green, Middlesex, UB2 5UY, UK
Tel/Fax: +44 (0)8450034271 Mobile: 07006342365
E-mail: sales@justcatering.com Web: <http://www.justcatering.com>

Waste Compactors

Reduce waste volume quickly, simply and cost effectively

imc
fresh thinking

Distributed By JustCatering.Com Ltd

10 Jessop Avenue, Norwood Green, Middlesex, UB2 5UY, UK

Tel/Fax: +44 (0)8450034271 Mobile: 07006342365

E-mail: sales@justcatering.com Web: <http://www.justcatering.com>

How IMC Compactors Work

Waste Control Made Simple

IMC waste compactors will cut your waste volumes by up to 80%.

Designed to compress all dry waste, including cardboard, tins, plastic and paper, our range of compactors are tough, reliable and simple to use. Just as importantly, they'll give you a fast return on your investment, help you to improve hygiene standards and minimise the area needed for waste storage.

The IMC waste compactor range has been developed to meet the needs of almost every application, from small hotels and restaurants to large schools, hospitals, shops, factories and ships.

Each unit is manufactured from stainless steel, making it quick and easy to clean. They incorporate proven electro-hydraulic technology to ensure that waste is compacted in seconds. The compactor range is quiet, safe and energy efficient in operation, running from a normal 13 amp plug.

Easy And Safe To Use

Our units are compact, easy to use and mounted on heavy duty casters or deck feet, so they can be located wherever waste is produced.

Waste is simply fed via a loading chute into an integral trolley, lined with a tough, sealable plastic bag, or in the larger model fed directly into standard 240 litre wheeled bins. Once the trolley or bin is full the loading door is closed, safety interlocks automatically engaged and the start button pressed. A powerful hydraulic press then compresses the waste in seconds, allowing more to be added until a 'bag full' light illuminates. For more resilient waste the constant pressure setting can be used.

The trolley or bin can then be safely removed, wheeled to the disposal point and emptied without the need for heavy lifting. The use of additional bins means that a single compactor can be used for larger kitchens or colour coded bins for easy waste segregation.

It's as quick and simple as that!

For larger establishments we also offer a weatherproof compactor for 1100 litre eurobins.

IP400

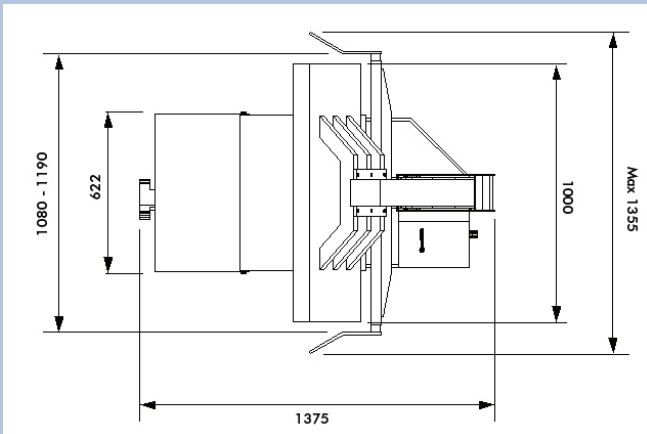
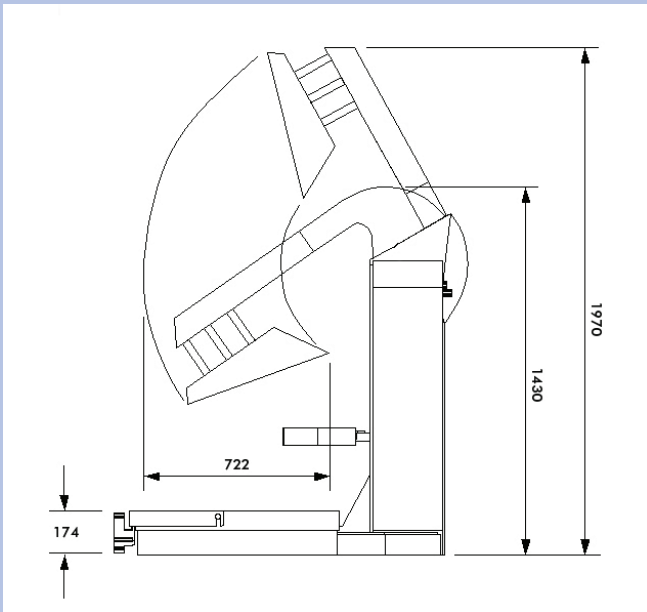
The IP400 is designed to be used in smaller businesses, where waste volumes are typically lower. Tough, robust and reliable, the IP400 is supplied with an integral trolley and can produce a compacted bag weight of up to 18Kg or approximately 55 litres.



IP400

| | |
|------------------------------|--|
| Average compacted bag weight | 16-18kg |
| Average compacted package | 375mm x 375mm x 380mm 55 litre |
| Compaction force | 3000kgf |
| Compaciton ratio | 5:1 |
| Cycle time | 14 seconds (including 4 second delay at bottom of stroke) |
| Motor | 0.75kW (1HP) |
| Fuse rating | 1 phase (13A) |
| Operator controls/Indicators | On/Off key ensures authorised operation Stop and start buttons Normal/constant operating mode switch Machine run indicator light Bag full indicator light |
| Operator safety | Interlock on trolley bin Interlock on waste-in chute |
| Special features | Constant pressure setting (night position) Wheeled trolley bin for easy movement 100 plastic bags, wire ties and tying tool Stainless steel trolley liners for bag rigidity |
| Customer options | Additional trolleys Lift-A-Pak Deck Feet for marine installations |

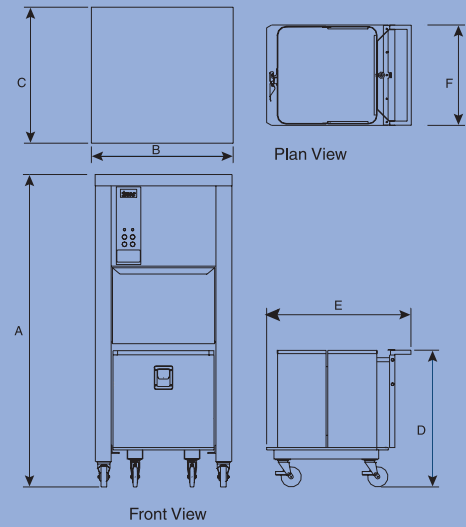
Dimensions IP1100



IP1100

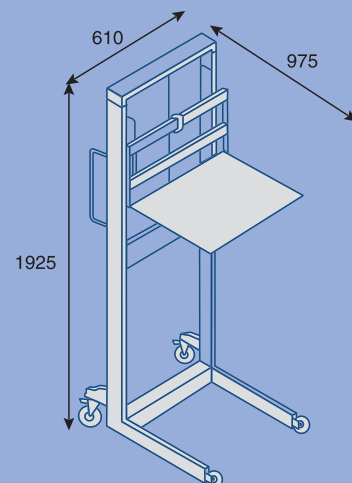
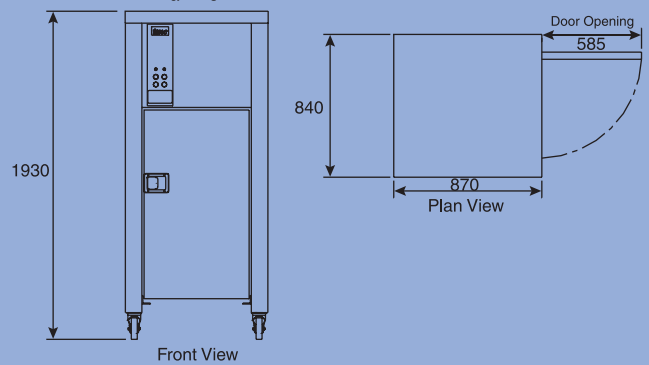
| | |
|----------------------------------|---|
| Average compacted package | 1100 litre wheeled eurobin (not supplied) |
| Compaction force | 3000kgf |
| Compaction ratio | 5:1 |
| Motor | 1.5kW (2HP) |
| Fuse rating | 1 phase (13A or 16A) 3 phase (24A or 32A) |
| Operator controls/ Indicators | Key switch to prevent unauthorized use Motor start button Up and down buttons to raise and lower press plate Foot pedal to operate the container support Centring mechanism |
| Operator safety | Lock to prevent unauthorized use |
| Special features | 5 year warranty Weatherproof suitable for outside installation Rubber feet for stability |

Dimensions IP400, 500, 600



| Model | A | B | C | D | E | F |
|-------|------|-----|-----|-----|-----|-----|
| IP400 | 1645 | 600 | 580 | 600 | 530 | 410 |
| IP500 | 1740 | 678 | 675 | 730 | 765 | 520 |
| IP600 | 1930 | 870 | 840 | 845 | 885 | 620 |

Dimensions IP700



The optional Lift-A-Pak allows compacted bags to be easily lifted into a storage skip, to avoid operators lifting heavy bags.

IP1100

The weatherproof IP1100 is designed for large commercial or institutional establishments and allows waste to be compacted by up to 80% directly into a standard wheeled plastic or metal 1100 litre Eurobin, reducing the number required by an organisation. With robust stainless steel construction and quiet operation, the system can be sited outside and has a comprehensive five year warranty.



IP500

Ideal for larger waste volumes, the IP500 typically produces compacted bags between 25 and 30Kg in weight, of up to 110 litres. In common with the IP400 and IP600, the unit is easy to use and clean, and incorporates safety interlocks on the chute and trolley to protect both the machine and operator.



IP500

| | |
|----------------------------------|--|
| Average compacted bag weight | 25-30kg |
| Average compacted package | 500mm x 500mm x 430mm 110 litre |
| Compaction force | 4500kgf |
| Compaction ratio | 5:1 |
| Cycle time | 23 seconds (including 4 second delay at bottom of stroke) |
| Motor | 0.75kW (1HP) |
| Fuse rating | 1 phase (13A) |
| Operator controls/ Indicators | On/Off key ensures authorised operation Stop and start buttons Normal/constant operating mode switch Machine run indicator light Bag full indicator light |
| Operator safety | Interlock on trolley bin Interlock on waste-in chute |
| Special features | Constant pressure setting (night position) Wheeled trolley bin for easy movement 100 plastic bags, wire ties and tying tool Stainless steel trolley liners for bag rigidity |
| Customer options | Additional trolleys Lift-A-Pak Deck Feet for marine installations |

IP600

Designed for larger businesses that regularly generate higher volumes of waste, the IP600 has a compaction force of 5000kgf, producing compacted bag weights of 40kg and up to 210 litres in volume. The large, heavy duty integral trolley is easy to move and empty, with waste being compacted into sealable plastic bags.



IP600

| | |
|-------------------------------|--|
| Average compacted bag weight | 40-45kg |
| Average compacted package | 600mm x 600mm x 580mm 210 litre |
| Compaction force | 5000kgf |
| Compaction ratio | 5:1 |
| Cycle time | 23 seconds (including 4 second delay at bottom of stroke) |
| Motor | 0.75kW (1HP) |
| Fuse rating | 1 phase (13A) |
| Operator controls/ Indicators | On/Off key ensures authorised operation Stop and start buttons Normal/constant operating mode switch Machine run indicator light Bag full indicator light |
| Operator safety | Interlock on trolley bin Interlock on waste-in chute |
| Special features | Constant pressure setting (night position) Wheeled trolley bin for easy movement 100 plastic bags, wire ties and tying tool Stainless steel trolley liners for bag rigidity |
| Customer options | Additional trolleys Lift-A-Pak Deck Feet for marine installations |

IP700

The IP700 eliminates the need for separate plastic bags by enabling standard 240 litre wheeled bins to be filled and positioned safely under the compaction head. Different colour bins can be used as part of a waste segregation or recycling scheme, while the use of safety interlocks on the door and wheeled bin ensure complete operator safety.



IP700

| | |
|------------------------------|---|
| Average compacted bag weight | 40-45kg |
| Average compacted package | 240 litre wheeled bin (not supplied) |
| Compaction force | 1000kgf |
| Compaction ratio | 5:1 |
| Cycle time | 17 seconds (including 4 second delay at bottom of stroke) |
| Motor | 0.75kW (1HP) |
| Fuse rating | 1 phase (13A) |
| Operator controls/Indicators | On/Off key ensures authorised operation Stop and start buttons Normal/constant operating mode switch Machine run indicator light Bin full indicator light |
| Operator safety | Interlock on door Interlock on wheeled bin |
| Special features | Constant pressure setting (night position) Adjustable floor plate for stability |
| Customer options | Deck Feet for marine installations |