

MODEL: **Performa WR-500SL3**

# Performa

1/2-inch Sink Taps with 3-inch Levers

**Mount:** Deck mounted  
**Water feed:** Single  
**Controls:** 3-inch lever  
**Connections:** 1/2-inch  
**Tap type:** Sink  
**Accreditation:** WRAS

**FEATURES & BENEFITS**

- Especially engineered for long life and service.
- Recognised industry leader.
- Suitable for a wide variety of applications.
- Easy to service and maintain.
- High quality polished chrome finish.

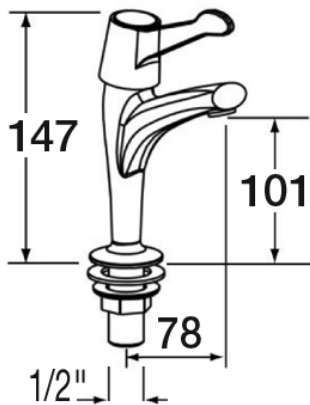
**TECHNICAL INFO**

- Connection(s): 1/2-inch.
- Worktop hole: 25mm.
- Recommended static water pressure range: 0.2-6 bar.
- Flow rate: 13.33 lpm tested at 3 bar pressure.



**MAINTENANCE & CLEANING**

Cleaning chrome: Do not use abrasive, chlorine or acid-based cleaning products. Avoid contact with concentrated bleach. Clean with soapy water using a cloth or sponge.



Dimensions are in millimeters. If a Cad file is required please visit [www.mechline.com](http://www.mechline.com).



MECHLINE DEVELOPMENTS LIMITED  
 Tel: +44 (0)1908 261511 | Email: [info@mechline.com](mailto:info@mechline.com) | Web: [www.mechline.com](http://www.mechline.com)